

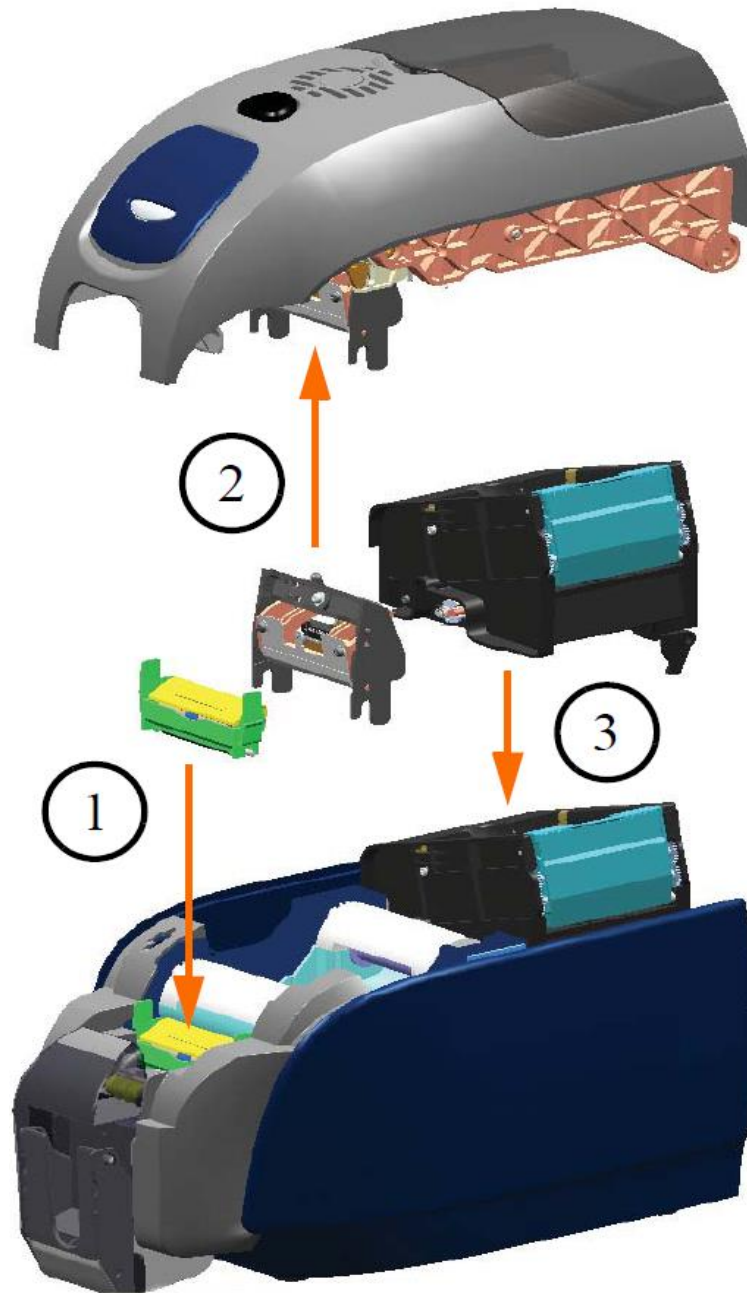


Zebra® ZXP Series 1™ Card Printer

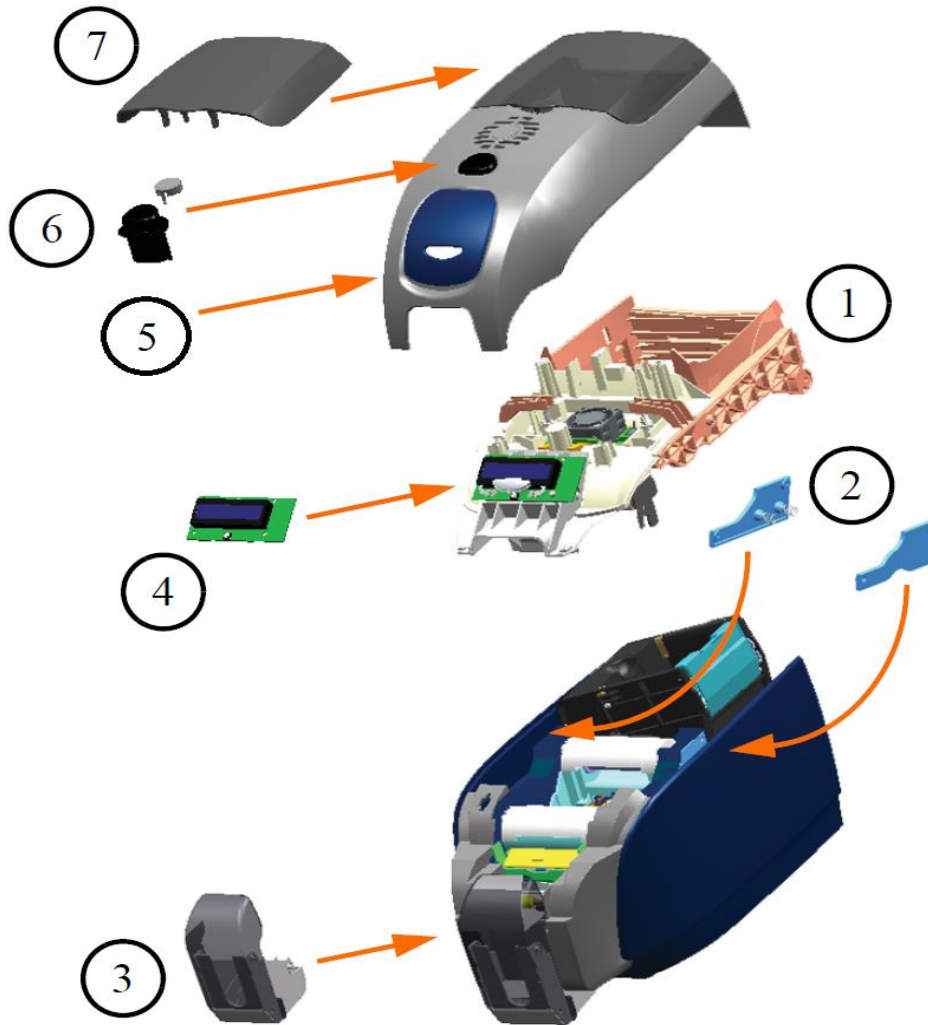
Spare Parts Catalog



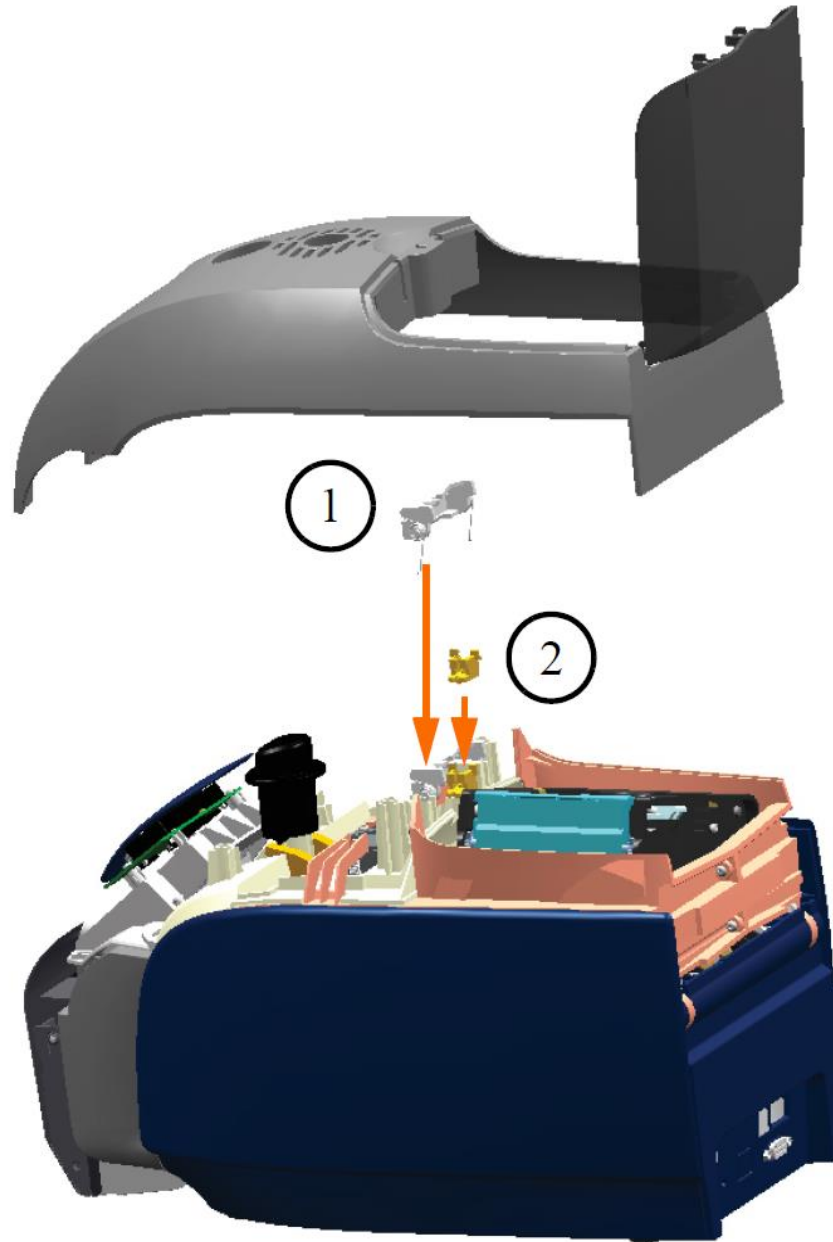
Item Number	Description	Part Number	Kit Quantity
1	Kit Cover For Feeder ZXP1	P1031925-042	1
2	Kit Side Panels and Bezels ZXP1	P1031925-143	1



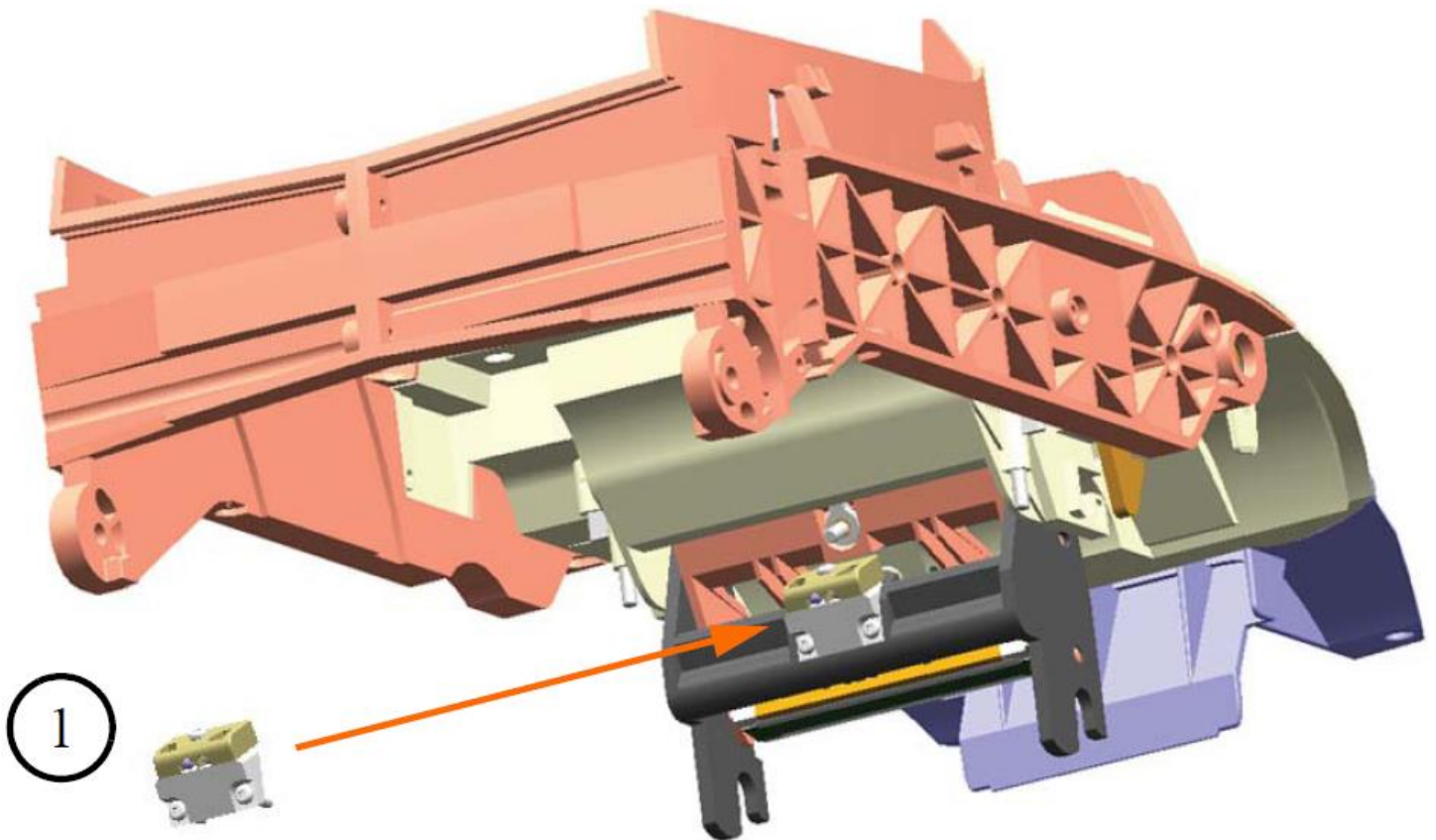
Item Number	Description	Part Number	Kit Quantity
1	Kit Spare Cleaning Roller Assembly ZXP1	P1031925-029	1
2	Kit Printhead ZXP1	P1031925-070	1
3	Kit Feeder Assembly ZXP1	P1031925-230	1



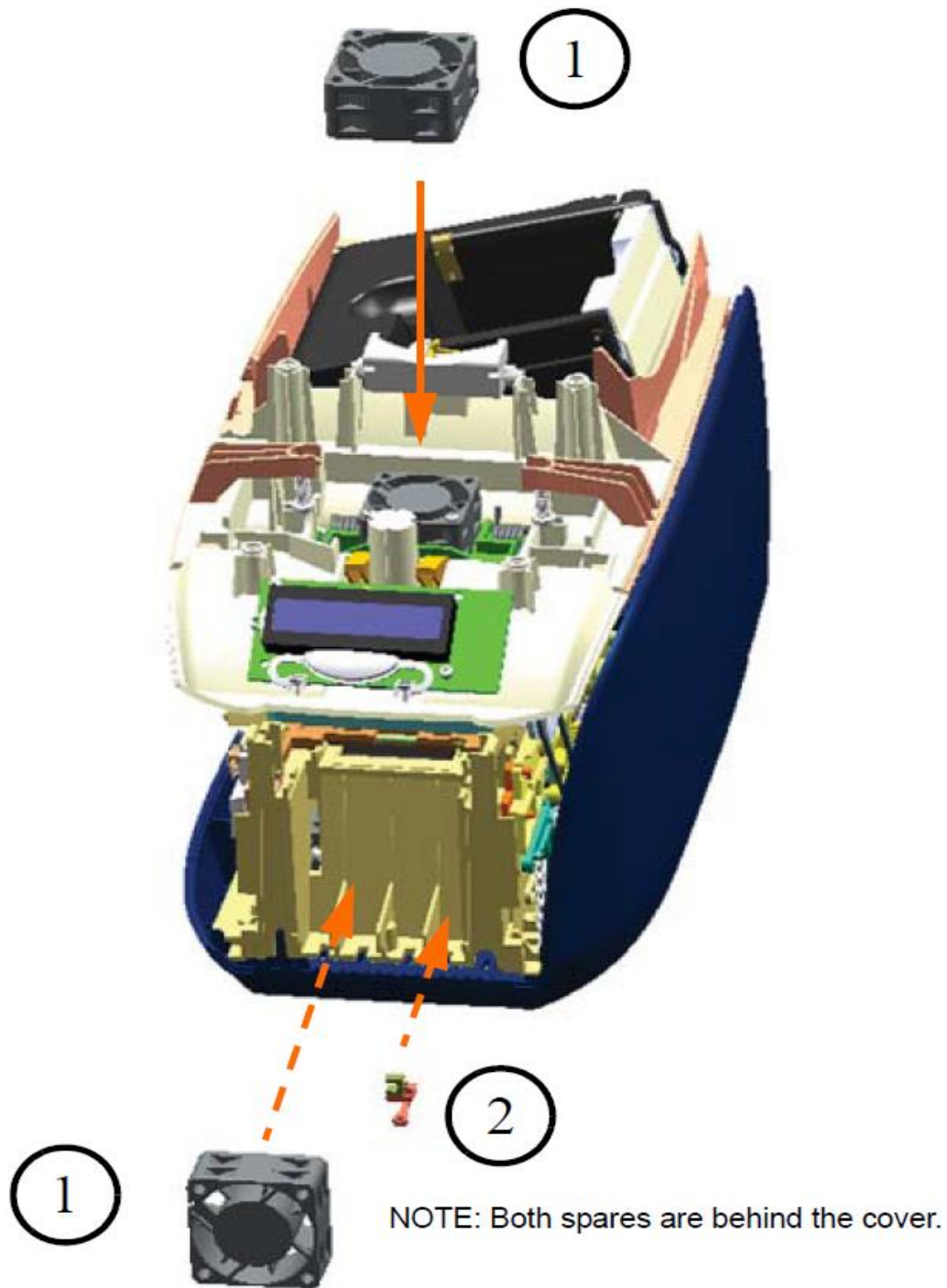
Item Number	Description	Part Number	Kit Quantity
1	Kit Inner Top Assembly ZXP1	P1031925-235	1
2	Kit Covers for Frame ZXP1	P1031925-047	1
3	Kit Output Hopper ZXP1	P1031925-244	1
4	Kit LCD Display PCBA ZXP1	P1031925-010	1
5	Kit Top Cover & Badge ZXP1	P1031925-141	1
6	Kit Button for Door ZXP1	P1031925-137	1
7	Kit Cover for Feeder ZXP1	P1031925-042	1



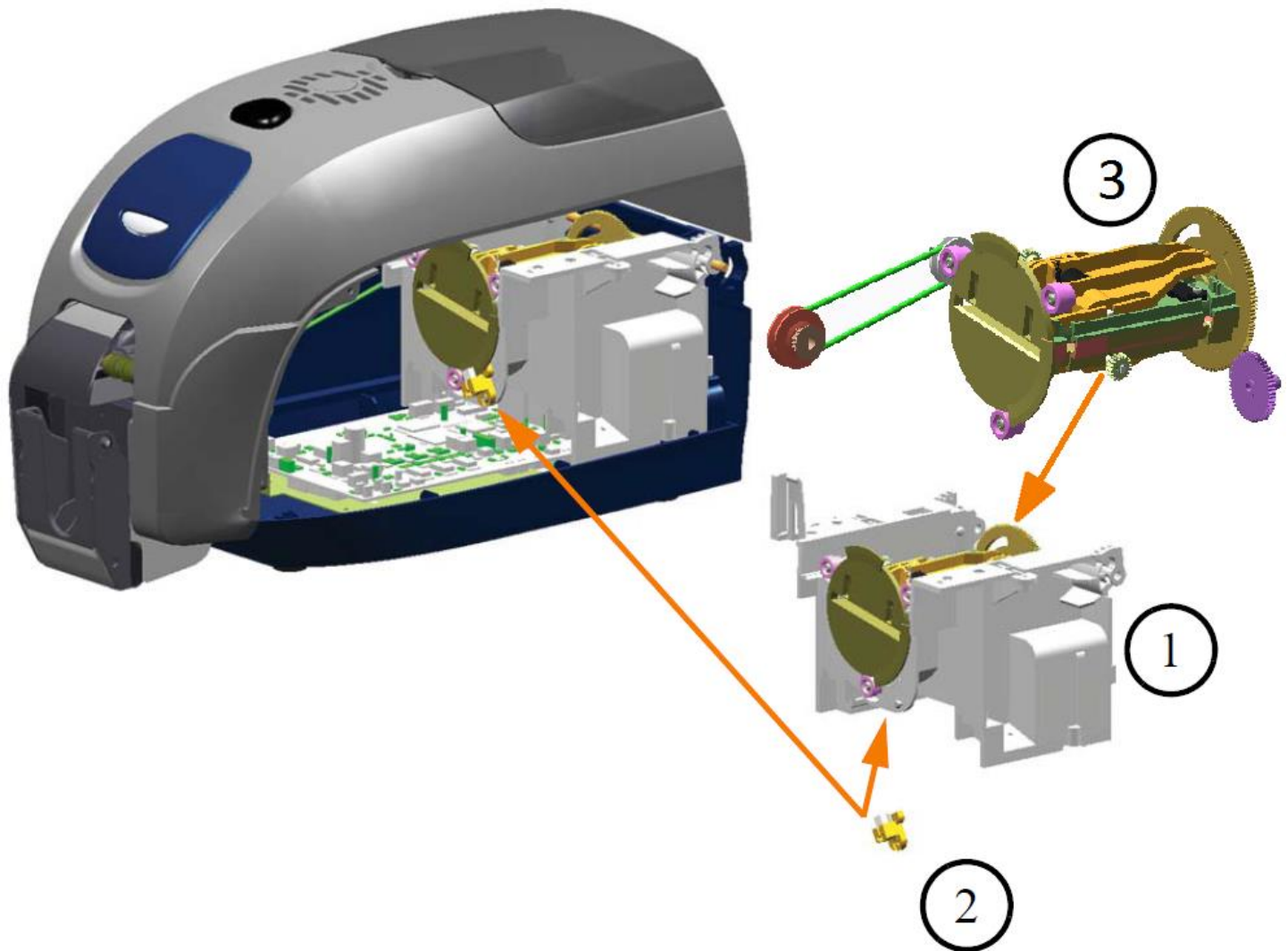
Item Number	Description	Part Number	Kit Quantity
1	Kit Latch for Feeder ZXP1	P1031925-038	1
2	Kit Feeder Cover Sensor ZXP1	P1031925-053	1



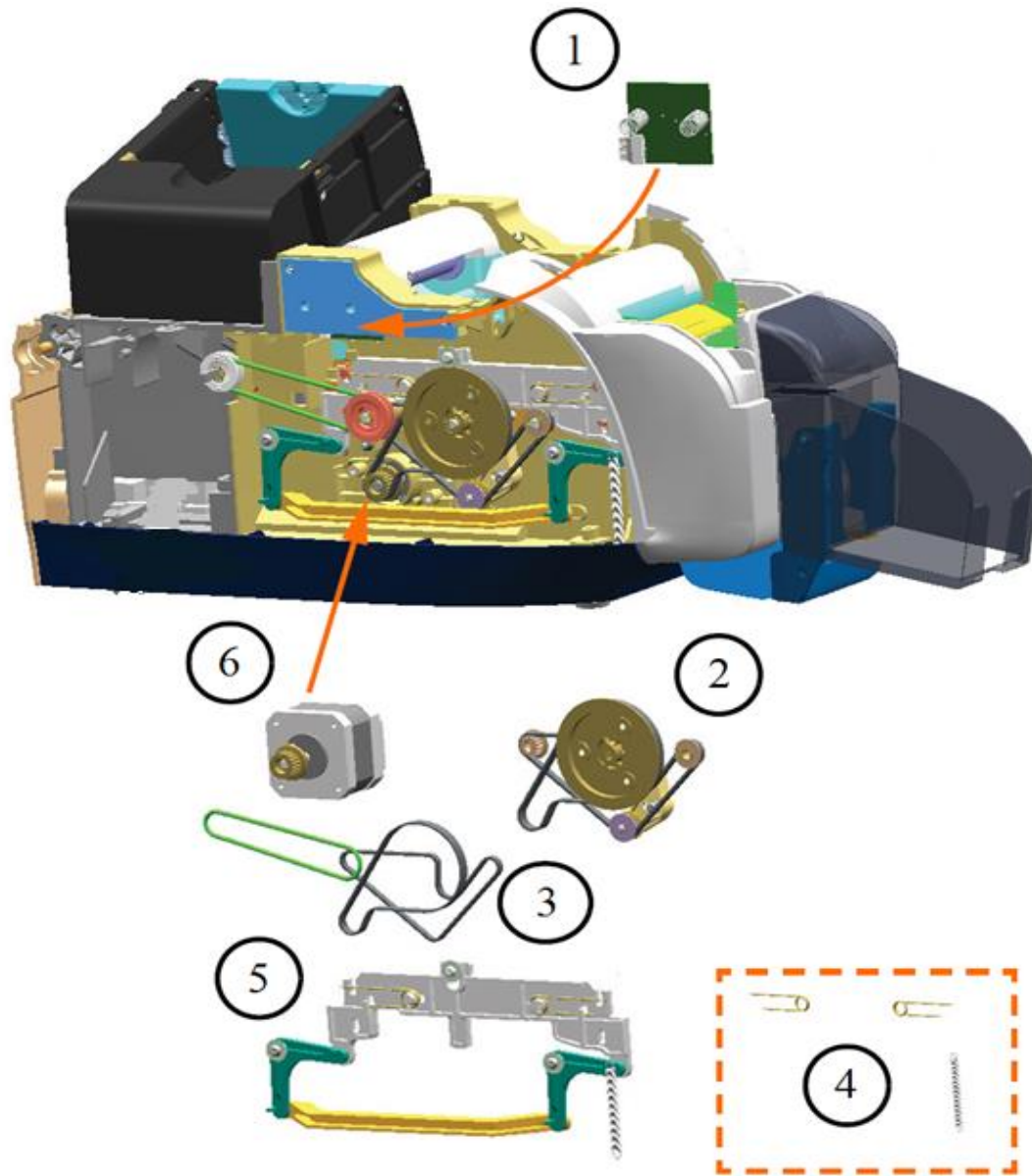
Item Number	Description	Part Number	Kit Quantity
1	Kit Ribbon Sensor ZXP1	P1031925-012	1



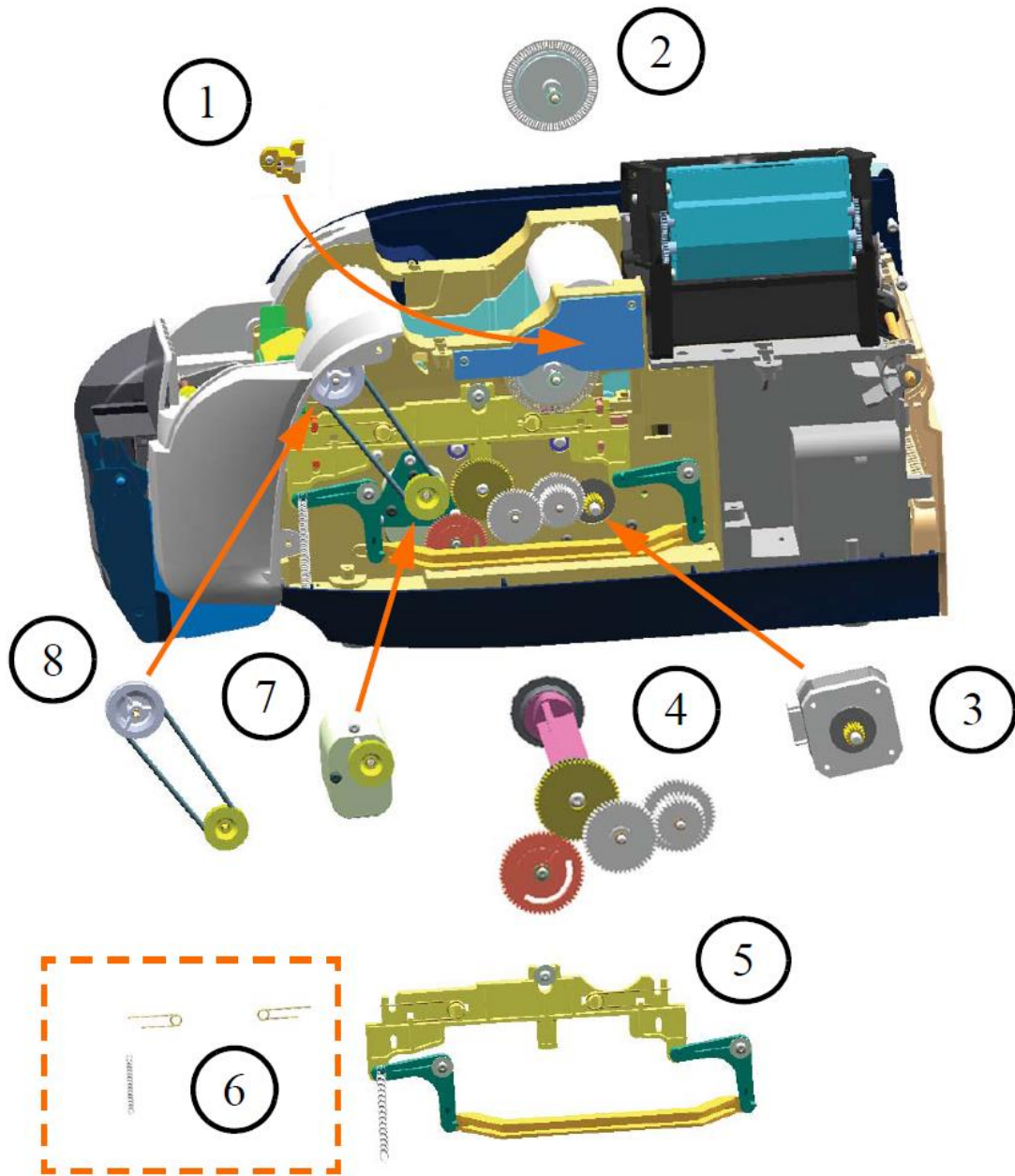
Item Number	Description	Part Number	Kit Quantity
1	Kit Cooling Fans ZXP1	P1031925-071	1
2	Kit ATM Sensor ZXP1	P1031925-014	1



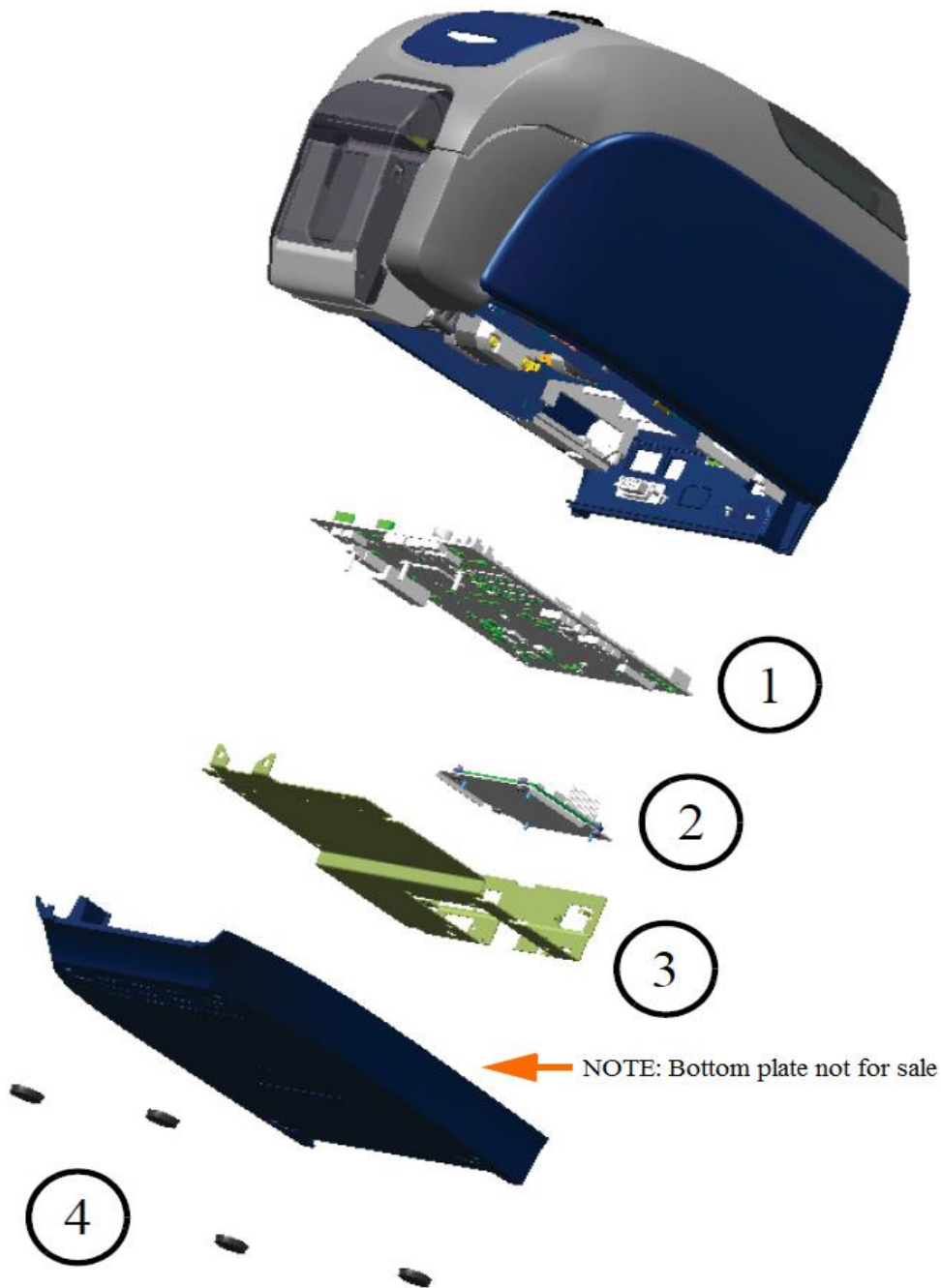
Item Number	Description	Part Number	Kit Quantity
1	Kit Flipper Assembly ZXP1	P1031925-076	1
2	Kit Flipper Sensor ZXP1	P1031925-055	1
3	Kit Carrier and Drive for Flipper ZXP1	P1031925-233	1



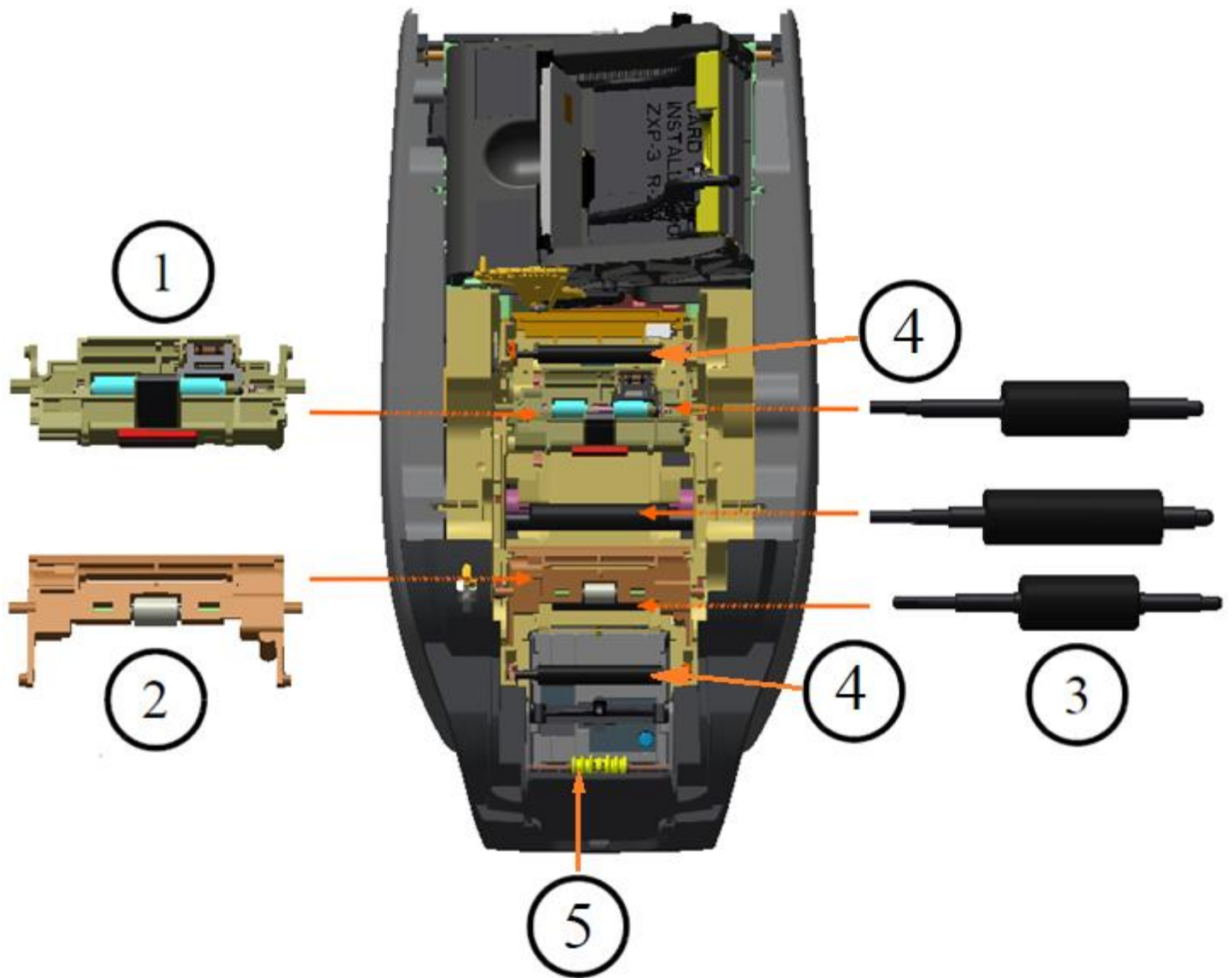
Item Number	Description	Part Number	Kit Quantity
1	Kit Cryptographic PCBA ZXP1	P1031925-009	1
2	Kit Drive System ZXP1	P1031925-224	1
3	Kit Print Engine Belts and O-Ring ZXP1	P1031925-125	1
4	Kit Springs for Linkage (left and right side) ZXP1	P1031925-021	2
5	Kit Drive Linkage (left and right side) ZXP1	P1031925-072	2
6	Kit Card Drive Motor ZXP1	P1031925-217	1



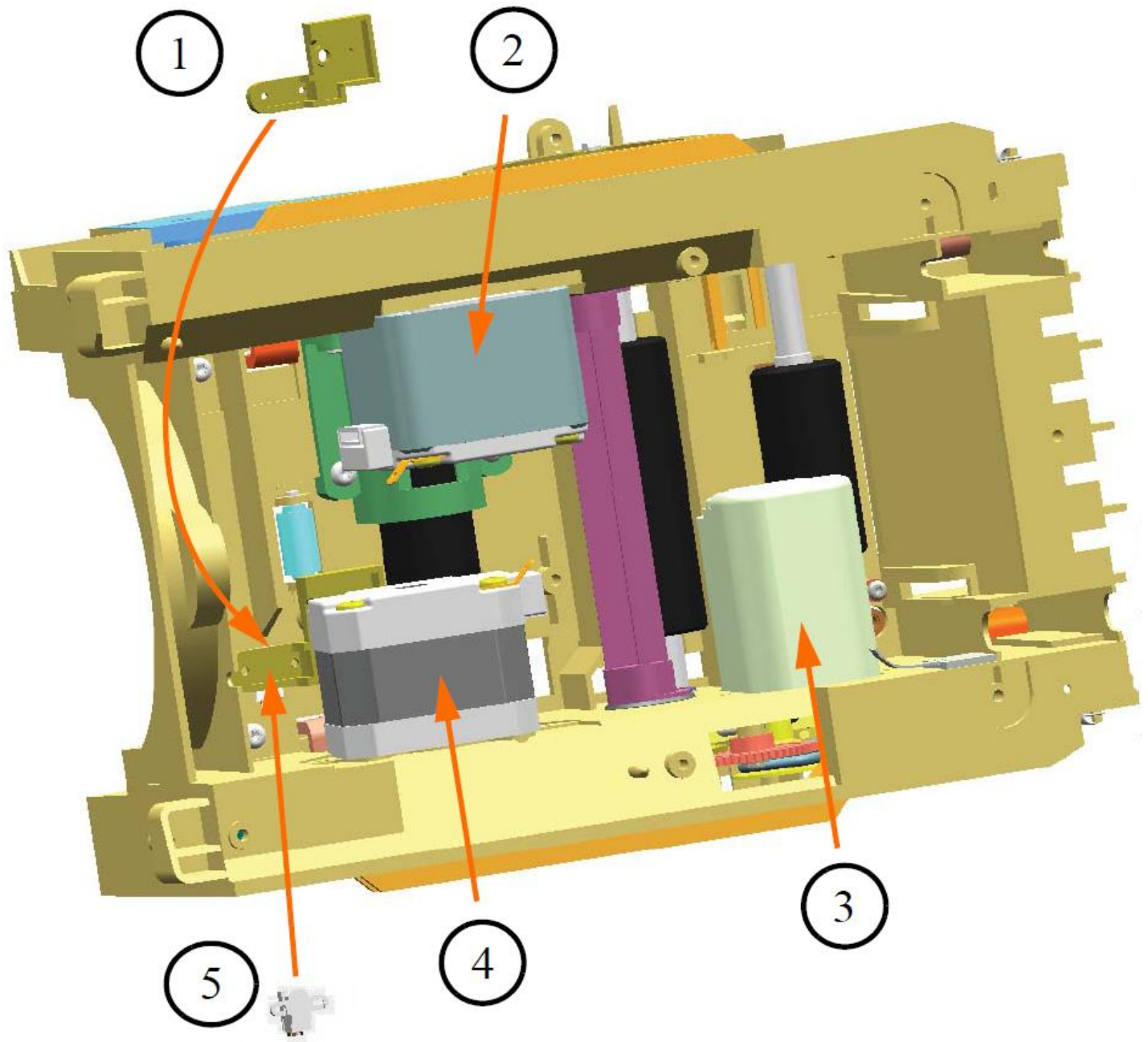
Item Number	Description	Part Number	Kit Quantity
1	Kit Lid Ribbon Encoder Sensor ZXP1	P1031925-015	1
2	Kit Encoder Disk ZXP1	P1031925-026	1
3	Kit Printhead Lift Motor ZXP1	P1031925-018	1
4	Kit Drive Gears and Camshaft ZXP1	P1031925-073	1
5	Kit Drive Linkage (left and right side) ZXP1	P1031925-072	2
6	Kit Springs for Linkage (left and right side) ZXP1	P1031925-021	2
7	Kit Ribbon Drive Motor ZXP1	P1031925-019	1
8	Kit Ribbon Drive System ZXP1	P1031925-023	1



Item Number	Description	Part Number	Kit Quantity
1	Kit MLB Standard ZXP1	P1031925-507	1
	Kit MLB China for Printer Part Number Z11-xxxxxxx CN xx ZXP1	P1031925-561	1
	Kit MLB India for Printer Part Number Z11-xxxxxxx IN xx ZXP1	P1031925-563	1
2	Kit Ethernet PCBA ZXP1	P1031925-201	1
3	Kit Ground Plate ZXP1	P1031925-040	1
4	Kit Feet for Printer ZXP1	P1031925-046	1
Not Shown	Kit Power Supply ZXP1	P1031925-149	1



Item Number	Description	Part Number	Kit Quantity
1	Kit, Rear Pressure Roller Assembly with Mag ZXP1	P1031925-082	1
	Kit, Rear Pressure Roller Assembly without Mag ZXP1	P1031925-083	1
2	Kit, Front Pressure Roller Assembly ZXP1	P1031925-084	1
3	Kit, Platens for Print Engine ZXP1	P1031925-228	1
4	Kit, Cleaning Roller (Qty 5) ZXP1	105940G-125	5
5	Kit, Flexible Ribbed Roller (Qty 5) ZXP1	P1031925-056	5



Item Number	Description	Part Number	Kit Quantity
1	Kit Mag Head with Sensor ZXP1	P1031925-011	1
2	Kit Card Drive Motor ZXP1	P1031925-217	1
3	Kit Ribbon Motor ZXP1	P1031925-019	1
4	Kit Head Lift Motor ZXP1	P1031925-018	1
5	Kit SYNC Sensor ZXP1	P1031925-054	1

Misc. Items

Item Number	Description	Part Number	Kit Quantity
Not Shown	Kit Packaging for Shipping ZXP1	P1031925-151	1
Not Shown	Kit, Fabric Packaging Bag for Shipping, Set of 3	P1031925-086	3
Not Shown	Kit Misc Hardware (screws, nuts, washers, fasteners) ZXP1	P1031925-052	1
Not Shown	Kit Cables Electronics (contains all cables) ZXP1	P1031925-048	1

Upgrade Kits

Item Number	Description	Part Number	Kit Quantity
Not Shown	Kit Upgrade Ethernet PCBA ZXP1	P1031925-201	1
Not Shown	Kit Upgrade Manual Front Feed ZXP1	P1031925-100	1